

Model HA/PA34

Raffaello Series

Powered by Interpump Group Spa with gear reducer integrated in the crankcase, splash lubrication.



MODEL TABLE* | MAXIMUM CAPACITY (l/h)** LINKED TO THE RELATED PRESSURE (bar)

MODELS	POWER kW	PRESSURE bar	150	200	250	400	600
HA/PA34	90	CAPACITY l/h	17.500	13.500	10.000	7.000*	4.500

*Values referring to machines with fixed capacity

**Values referring to products with a max viscosity of 500Cp

TECHNICAL DATA

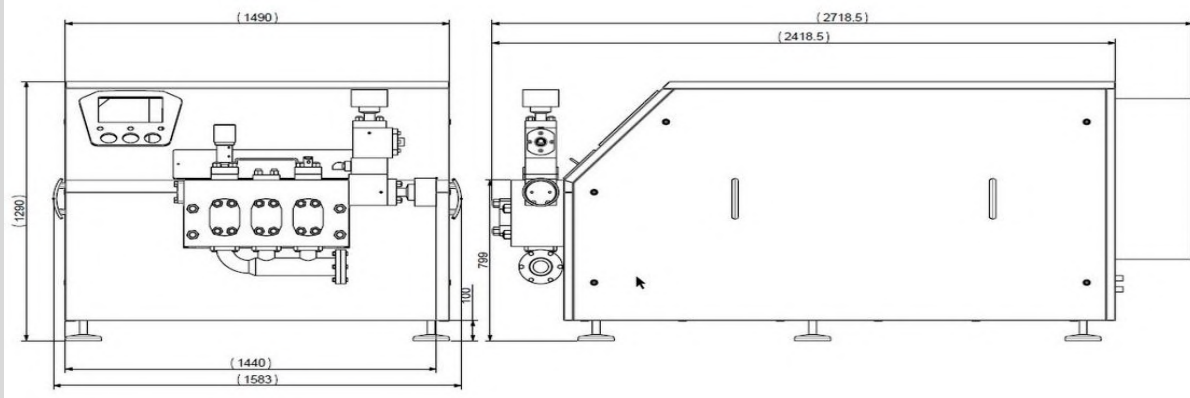
Plunger number	3
Stroke (mm)	107
Weight (Kg)	2.600
Water consumption (l/h)	200
Lubrication oil quantity (kg)	30
Connection product inlet/outlet	Socket weld flange $\varnothing e90 \varnothing i85 / \varnothing e40 \varnothing i35$



Design according to MACHINE DIRECTIVES and the HARMONIZED EUROPEAN STANDARD in force



Model HA/PA34



FEATURES

- Forged block made of Duplex, SAF2205, Self-alignment patented system, 3 Plungers made of AISI630L covered by chrome
- Direct transmission system with gear reducer integrated in the cast iron crankcase, cross slide on the motor and trapezoidal belts
- Homogenizing group with hydro-pneumatic adjustment of the pressure for a great stability and homogenizing valves in stellite™
- Conical valve seat and poppet valves made of stellite 20™
- Overpressure valve, flow switch alarm on water circuit
- Digital pressure transmitter, 4-20 mA, with ceramic membrane
- Splash lubrication system, die cast aluminium crankcase, nitrurized crankshaft
- Terminal box and control panel for local/remote control
- Easy opening panels, friendly maintenance of the liquid end

OPTIONS

- | | |
|--|---|
| <p>Second stage homogenizing group</p> <p>Forged multi-block made of Super Duplex, SAF2507</p> <p>Aseptic execution</p> <ul style="list-style-type: none"> • Sterile water generator by means of condensed steam generator • Patent pending sterile water generator by means of microfiltration <p>Design suitable with: 3A, EHEDG or PHARMA</p> <ul style="list-style-type: none"> • Low roughness and electropolished wetted parts • cGMP certificates to add to Customer Pharma Manual <p>Standard or Sharp Edge Homogenizing valve with different geometries, materials availability:</p> <ul style="list-style-type: none"> • Tungsten carbide • Zirconia Oxide • High efficiency patented homogenizing valve "Margherita" <p>Seat valve made of Tungstene carbide</p> | <p>Vibration and temperature monitoring and alarm</p> <p>Pumping plungers availability:</p> <ul style="list-style-type: none"> • HVOF chromium carbide jet coat treatment • AL2O3, Integral ceramics <p>Electric power board</p> <ul style="list-style-type: none"> • for Fixed or Variable capacity • Remote Control by 4-20 mA signal • Fully Automatic pressure control by means of PLC <p>Inlet and outlet connections:</p> <ul style="list-style-type: none"> • DIN 11851, Tri-clamp, SMS • High pressure outlet • Option upon request <p>Explosion proof design</p> <p>Sound-proof design</p> |
|--|---|

***Technical specifications are not mandatory and subject to change without notice.

REV12-01/2021-EN

