



The New
Giotto Series
conceived with new modular design,
guarantees high flexibility

MODEL TABLE* | MAXIMUM CAPACITY** | PRESSURE

MODELS	POWER kW	PRESSURE bar	25	40	80
PX33015	15	CAPACITY l/h	14.000	10.000	5.000

*Values referring to machines with fixed capacity

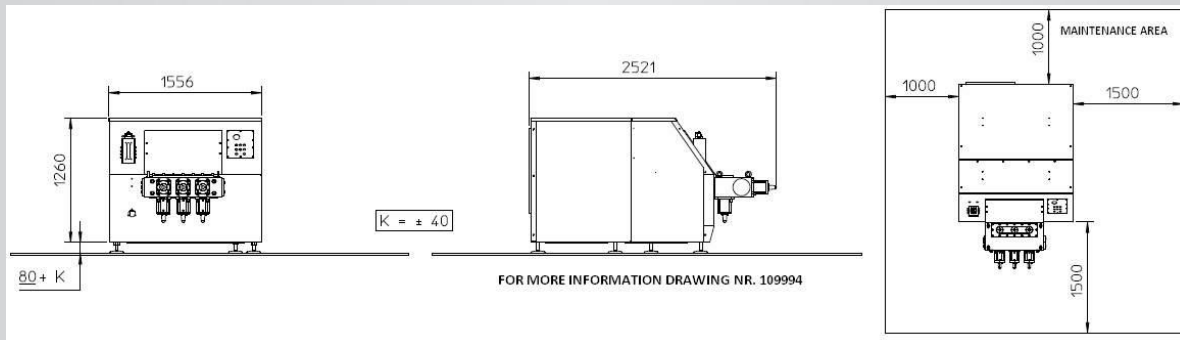
**Values referring to products with a max viscosity of 500Cp

TECHNICAL DATA

Plunger number	3
Stroke (mm)	150
Weight (Kg)	3.000
Water consumption (l/h)	300
Lubrication oil quantity (kg)	25
Air and water inlet	7
Water discharge	½ female
Product inlet/outlet	Flange to weld 96x596 / Øe108

Design according to MACHINE DIRECTIVES and the HARMONIZED EUROPEAN STANDARD in force.





FEATURES

Duplex (SAF2205) mono block stainless steel compression head of high mechanical and corrosion resistance

Pumping pistons in special stainless steel of high mechanical resistance, heat-treated and chromed at thickness

Pumping group with stainless steel seat, polymeric material valves complete with pneumatic actuator to avoid stress of the product during the flow

Piston stroke retracted for a complete flow of the product with pieces

Transmission system with trapezoidal belts, pendular reducer and pulleys

Internal control system equipped with encoder and PLC for regulation phases of valve opening and closing according to actual flow rate

Pneumatic group equipped with lubrication oil level switch

Operating panel on the machine for the control of all pump's parameters

Splash lubrication system

Max working pressure 25 bar

OPTIONS

Pumping pistons available in: AISI 630 heat-treated (to pump products with high salt content)

- Max pressure up to 40 bar
- Max pressure up to 80 bar

Polymeric material gasket of high wear and corrosion resistance, for pressure higher than 25 bar

Electric board:

- External machine for variable capacity
- Frequency converter for flow regulation

